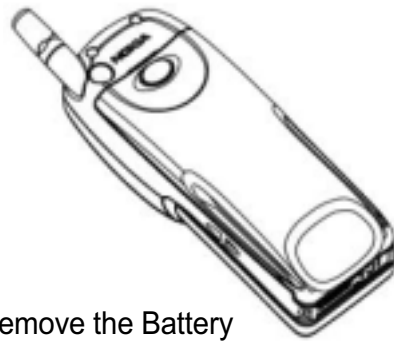
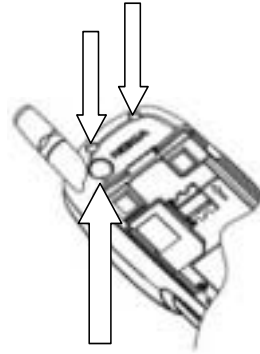


Programmes After Market Services NSB-5 Series Transceivers

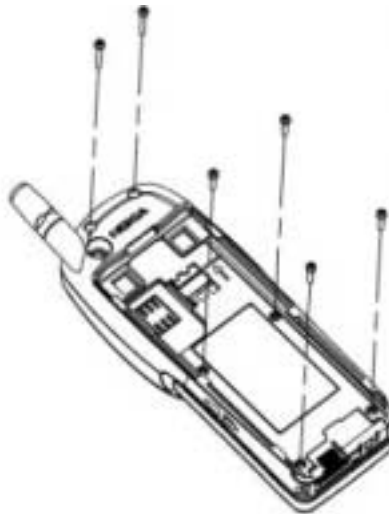
Disassembly Instructions



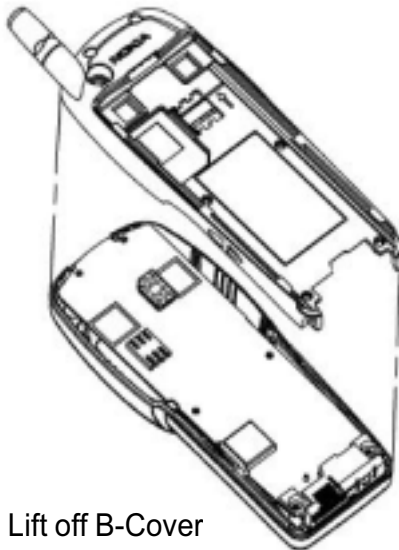
1. Remove the Battery



2. Remove Dust Cap & Rubber Plugs



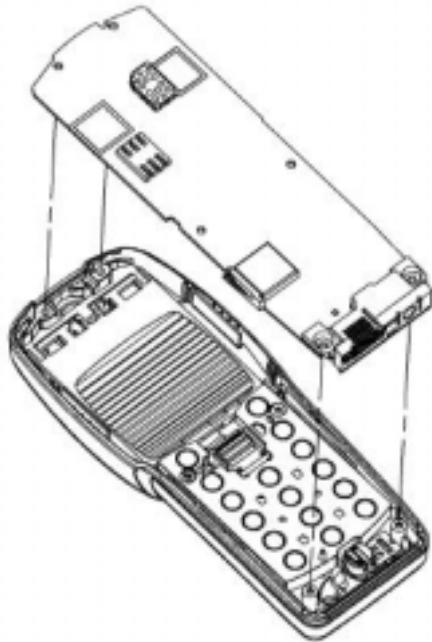
3. Remove the Screws (6x)



4. Lift off B-Cover



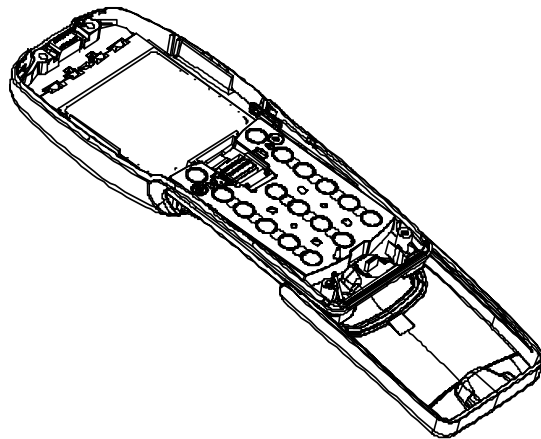
5. Pull out Antenna
note: snap fitting



6. Lift off the PCB

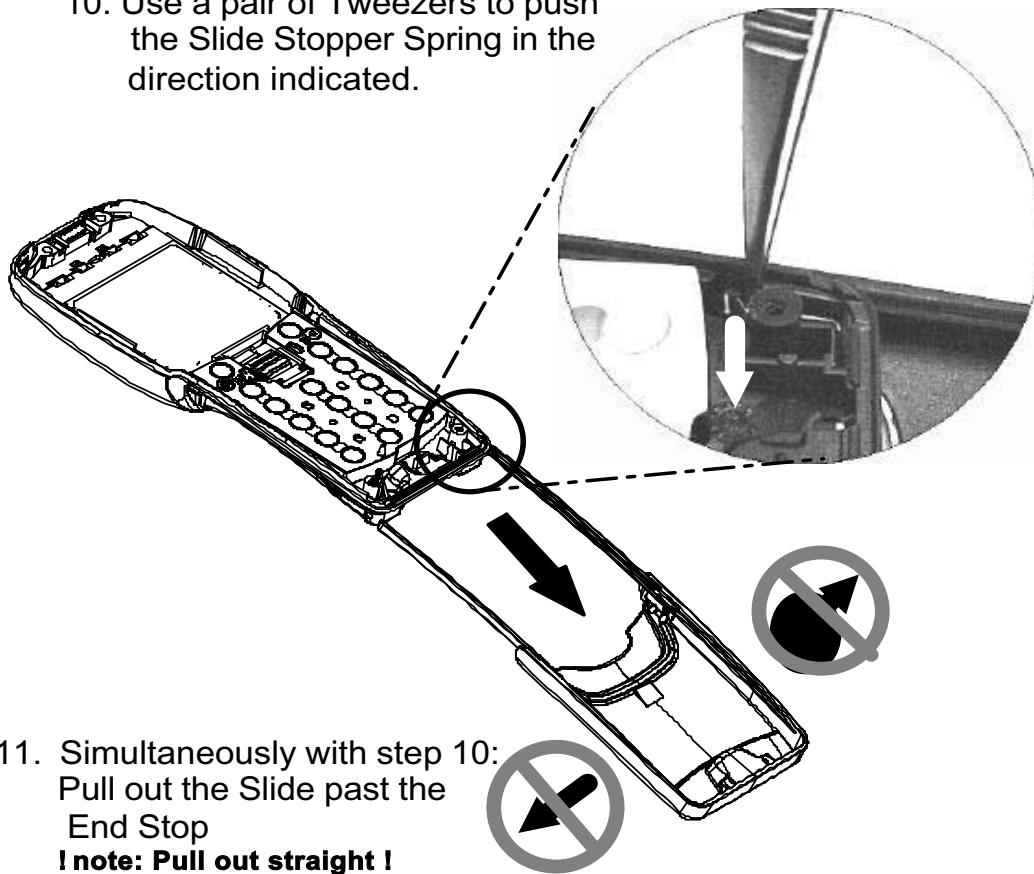


7. Remove the Slide Sensor Switch

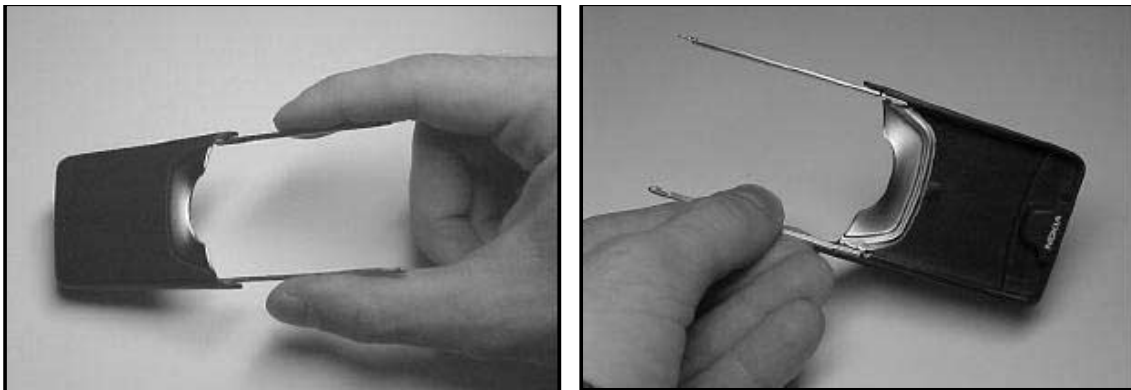


8. Pull out the Slide until the End Stop

10. Use a pair of Tweezers to push the Slide Stopper Spring in the direction indicated.



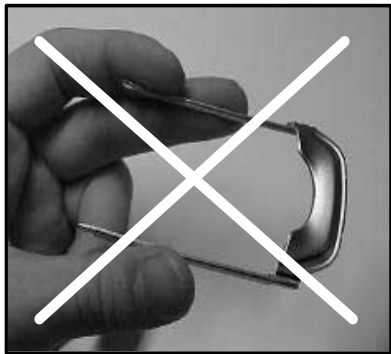
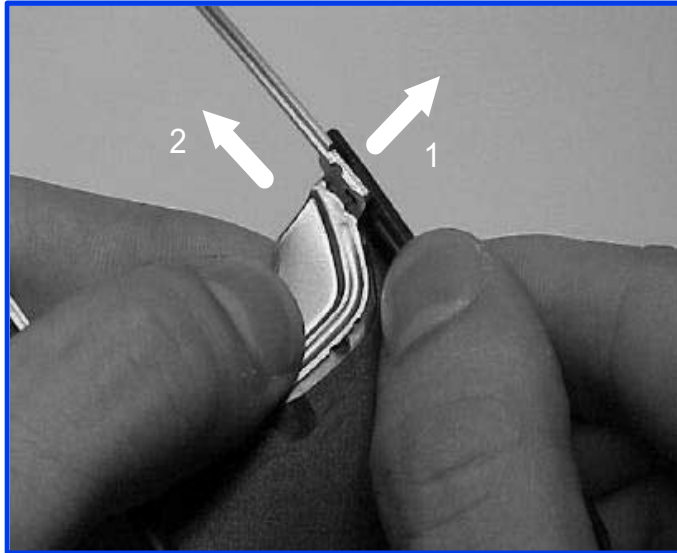
11. Simultaneously with step 10:
Pull out the Slide past the
End Stop
! note: Pull out straight !



! DO NOT handle the Slide like this ! **ALWAYS** handle the slide like this.

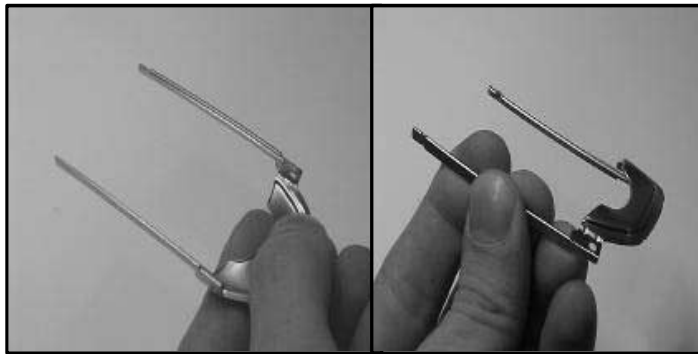
The metal slide is very easily bent when it is not protected by the phone. Avoid bending of the plungers at all times.

12. Bend open one side of the (plastic) Slide Cover and take out the Metal Slide.



! DONOT !

Hold the Metal Slide like this. The Metal Slide is bent very easily when not protected by the phone. Avoid bending of the Plungers at all times.



ALWAYS

Handle the Metal Slide like this. The Metal Slide can be held by the *Targa Bowor* by one of the Plungers.

Fitting a Metal Slide onto a Slide Cover:



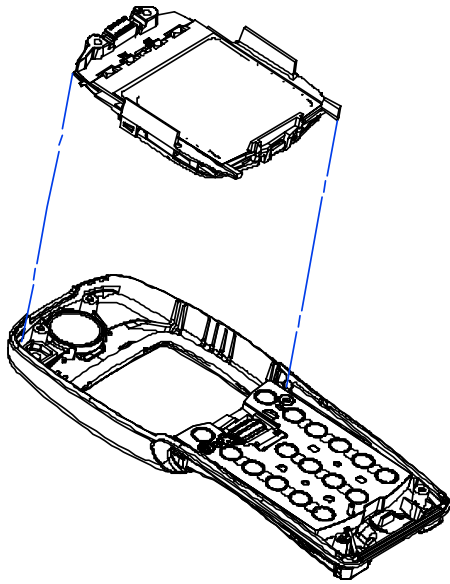
Push the Metal Slide onto the snap on one side of the Slide Cover.



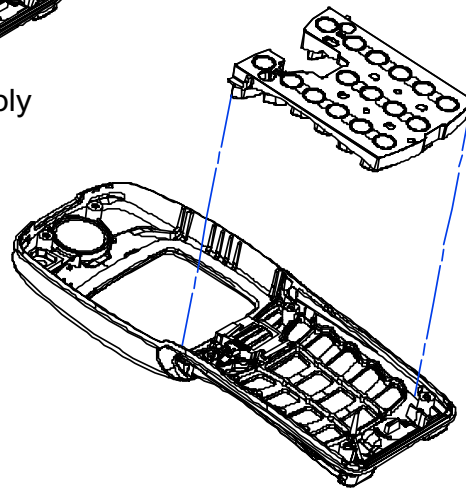
Push down the other side, but do not hit the middle snap.



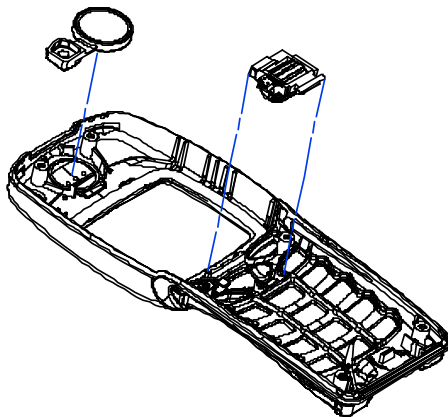
Push the Metal Slide onto the snap on the opposite side. A click should be noticed.



13. Remove the Display Assembly



14. Remove the Keypad Module



15. Remove the Speaker and the Roller Key